

# T A R G E T™ TG-125

## INSTRUCTIONS AND CARE

Congratulations, you have just purchased one of the finest spot cleaning guns available today. It is manufactured to TEKMAR's high quality standards from the best available materials and parts. When used as directed it should provide years of trouble free service.

For safe operation it is important to understand that this is not a toy. It is a high powered airless spray gun which has the potential, when not used as directed, to cause a serious puncture wound.

### SAFE OPERATING INSTRUCTIONS

Never point the gun at any part of your body or at any other person.

Always check electric cord for damage before using. If damaged do not attempt any temporary repairs.

Only use with adequate ventilation and always wear eye protection.

Use only approved cleaning solvents. Never spray flammable solutions into the air.

### INSTRUCTION FOR USE

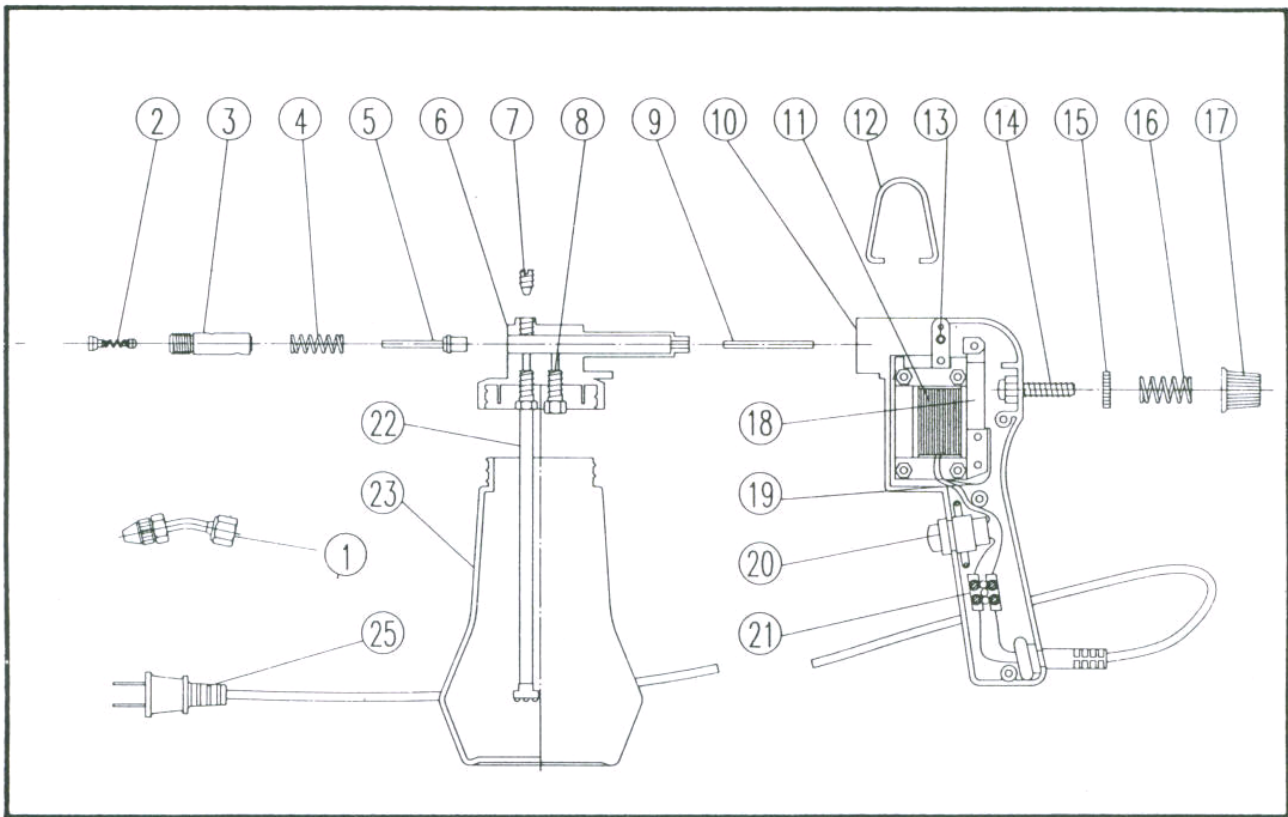
1. Fill fluid bottle 4/5 full and replace on gun. Squeeze trigger until gun primes and fluid comes out of the nozzle.
2. Place garment to be cleaned on a clean absorbent cloth or exhaust surface. Direct a jet of cleaning solvent through stain in a circular motion, until soil is flushed through.
3. To avoid ringing adjust nozzle to wide spray pattern and spray around wet edge to feather out giving a smooth transition from wet to dry.
4. Always test fabric in an inconspicuous area to ensure color fastness.

### CARE OF GUN

No routine maintenance of the gun is required, however to ensure it's long life never use with a corrosive or water based cleaner (this will also void warranty).

Periodically (or if the gun is to be stored for any period of time) drain it of any cleaning fluid and run a light machine oil (3 in 1 type) for a few seconds.

# TARGET™ TG-125



Position	Part #	Description	Position	Part #	Description
1.	TG1	NOZZLE	14.	125-14	BUFFER
2.	125-02	VALVE	15.	125-15	THREADED RING
3.	125-03	PUMP	16.	125-16	VOLUME SPRING
4.	125-04	PISTON SPRING	17.	125-17	VOLUME CONTROL
5.	125-05	PISTON	18.	125-18	ARMATURE
6.	125-06	PUMP HOUSING	19.	125-19	ARMATURE SPRING
7.	125-07	PUMP SCREW	20.	125-20	SWITCH
8.	125-08	DRAIN SCREW	21.	125-21	TERMINAL BLOCK
9.	125-09	PUMP ROD	22.	125-22	SUCTION TUBE
10.	125-10	HANDLE SET	23.	125-23	CONTAINER
11.	125-11	COIL MOTOR	25.	125-25	ELECTRIC CORD
11.	125-11-220	220V COIL			
12.	125-12	HOOK			
13.	125-13	SCREW			

**When ordering parts, to avoid incorrect items being shipped always have the gun model # and part #'s available.**